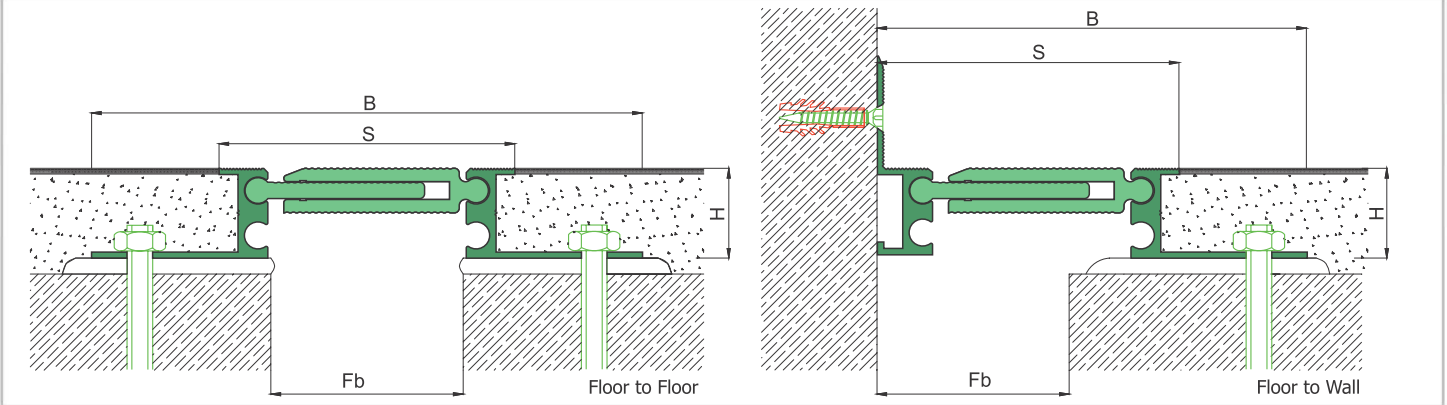
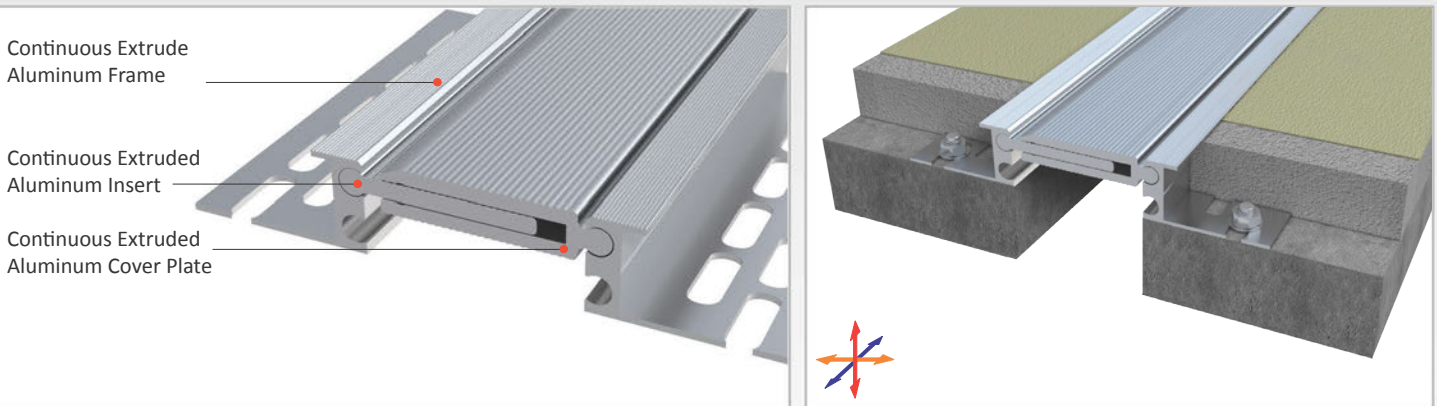




AS A227 flush mounted floor profile is applicable to all types of floors and load bearing capacity is designed for cars or pedestrians depending on the gap inquired. Pure metal structure characterizes AS A227 as a hardwearing & maintenance free profile and makes it ideal for the places with heavy pedestrian traffic. Round-headed articulated design enables the profile to meet displacements in 3 directions. Punched base frame lets the profile to be installed in an easy, quick and secured way. Profiles are delivered factory-assembled and for wide gaps soft EPDM tape is placed on the center plate to align the distance between the side frames. For surface mounted applications AS U237 model is available.

- Application Areas** : Indoor & Outdoor / Floor
- Ideal for** : Car Parks, Airports, Shopping Malls, Hospitals, Commercial & Public Buildings etc.
- Material** : Mill Finish Aluminum (Anodizing optional), Soft EPDM tape
- Aluminum Alloy** : 6063 AA-USA / EN AW 6063
- Optional Supplies** : Fire Barrier, Waterproof EPDM membrane

FLOOR

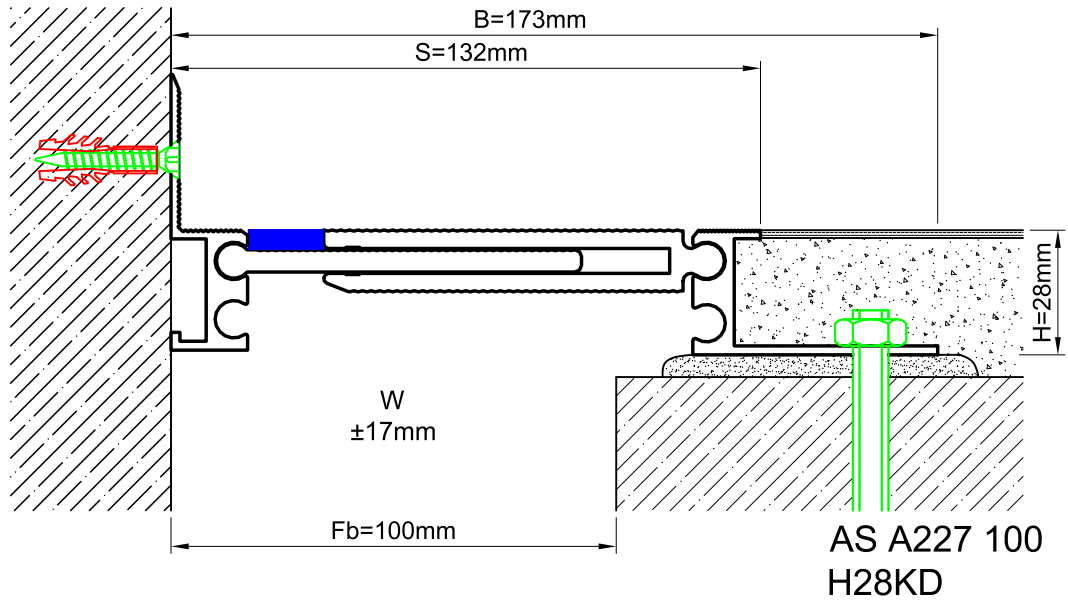
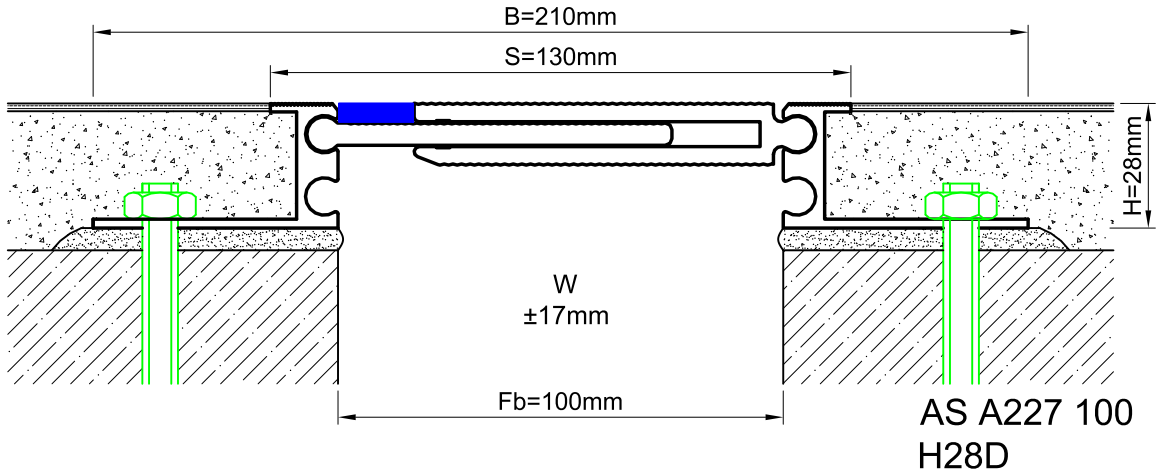



* Visuals are representative and the profile configuration may differ depending on the characteristics requested.

| LOCATION | MODEL | GAP (Fb) mm | HEIGHT (H) MM | OVERALL WIDTH (B) mm | VISIBLE WIDTH (S) mm | MOVEMENT (W) mm | LOAD CAPACITY | STANDARD LENGTH (mt) |
|----------------|-------------|-------------|---------------|----------------------|----------------------|-----------------|---------------|----------------------|
| Floor to Floor | AS A227-040 | 40 | 28 | 150 | 70 | ± 8 | | 3 |
| | AS A227-060 | 60 | 28 | 172 | 92 | ± 5 | | 3 |
| | AS A227-080 | 80 | 28 | 190 | 110 | ± 12 | | 3 |
| | AS A227-100 | 100 | 28 | 210 | 130 | ± 17 | | 3 |
| | AS A227-120 | 120 | 28 | 230 | 150 | ± 10 | | 3 |
| | AS A227-140 | 140 | 28 | 250 | 170 | ± 20 | | 3 |
| | AS A227-150 | 150 | 28 | 260 | 180 | ± 20 | | 3 |
| | AS A227-180 | 180 | 28 | 290 | 210 | ± 20 | | 3 |
| | AS A227-200 | 200 | 28 | 310 | 230 | ± 30 | | 3 |

Note: Please ask for different sizes





| Profil No Profile Number | AS A227 100 | AS A227 100K |
|---|---|--------------|
| Fb (mm) | 100 | 100 |
| H (mm) yaklaşık approx. | 28 | 28 |
| W± (mm) yaklaşık approx. | ±17 | ±17 |
| Renk Color | Alüminyum: Natürel Aluminum: Natural | |
| Malzeme Material | Alüminyum Aluminum | |
| Standart Uzunluk Standard Length | 3 | |
| Yükleme Kapasitesi Load-Bearing Capacity |  | |